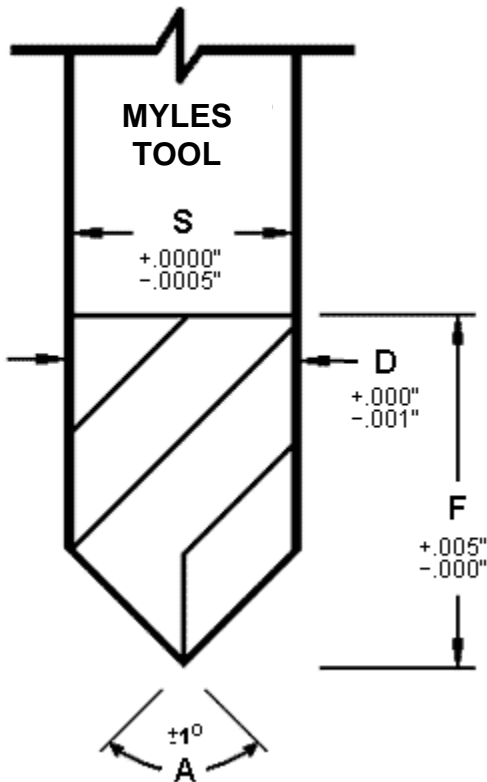


Phone 716-731-1300 6300 Inducon Corp Dr. 14132 Fax 716-731-9140

REQUEST FOR QUOTATION

SPECIAL CARBIDE DRILL MILLS



D _____ DIAMETER
A _____ POINT ANGLE
F _____ LENGTH OF CUT
S _____ SHANK
_____ FLUTES
_____ WORKPIECE
MATERIAL
_____ QUANTITY (6 PC MIN)

NAME: _____

COMPANY: _____

ADDRESS _____

CITY: _____ ST: _____ ZIP: _____

PHONE: _____ FAX: _____

Please fill in all the blanks and fax through to 716-731-9140